

Controlight Specialties, LLC

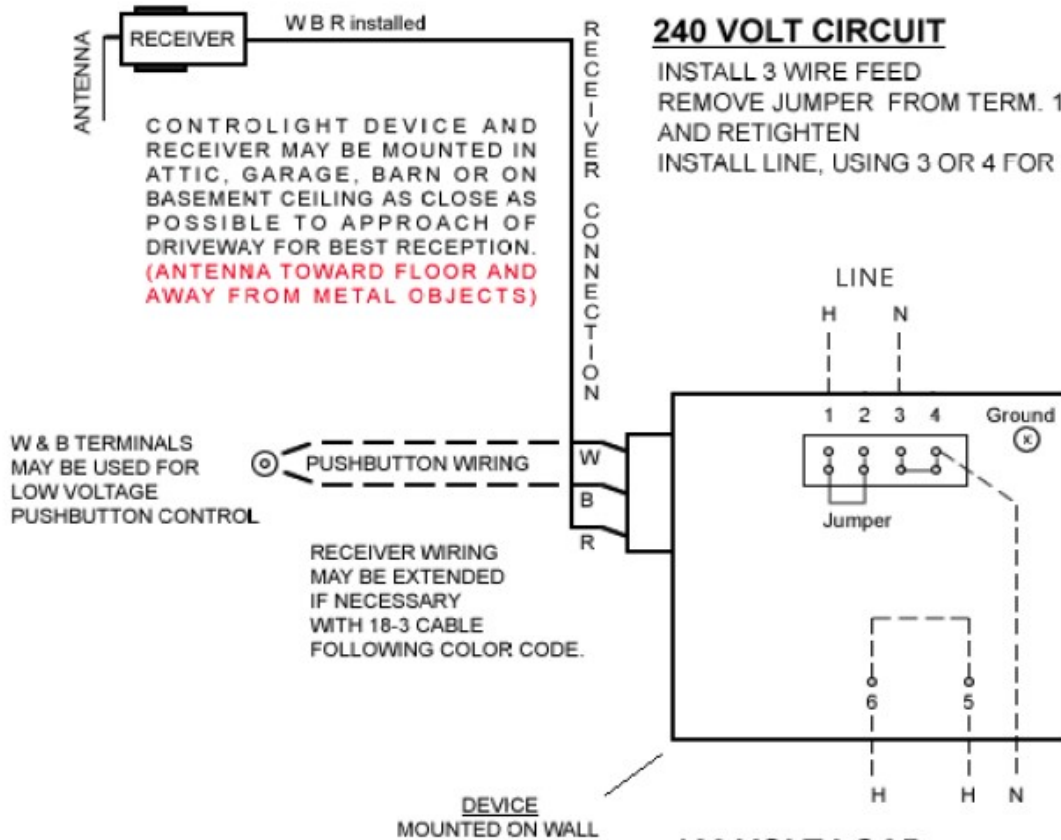
Disconnect all electrical circuits involved in **Controlight Device** installation

120 VOLT CIRCUIT

TERM. 1 OR 2 - HOT
TERM. 3 & 4 - NEUTRAL

240 VOLT CIRCUIT

INSTALL 3 WIRE FEED
REMOVE JUMPER FROM TERM. 1 & 2
AND RETIGHTEN
INSTALL LINE, USING 3 OR 4 FOR NEUTRALS



120 VOLT LOAD

TERMINALS 5 AND/OR 6
TO BE USED FOR
LOAD CARRYING CIRCUIT

240 VOLT LOAD

TERMINALS 5 AND 6

FOR EXISTING LIGHTING - REMOVE S.P. SWITCH AND CONNECT WIRES TOGETHER. CLOSE WITH BLANK PLATE.

